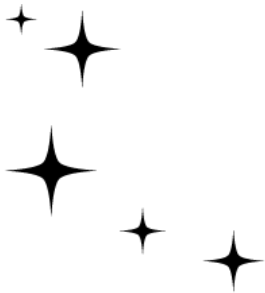


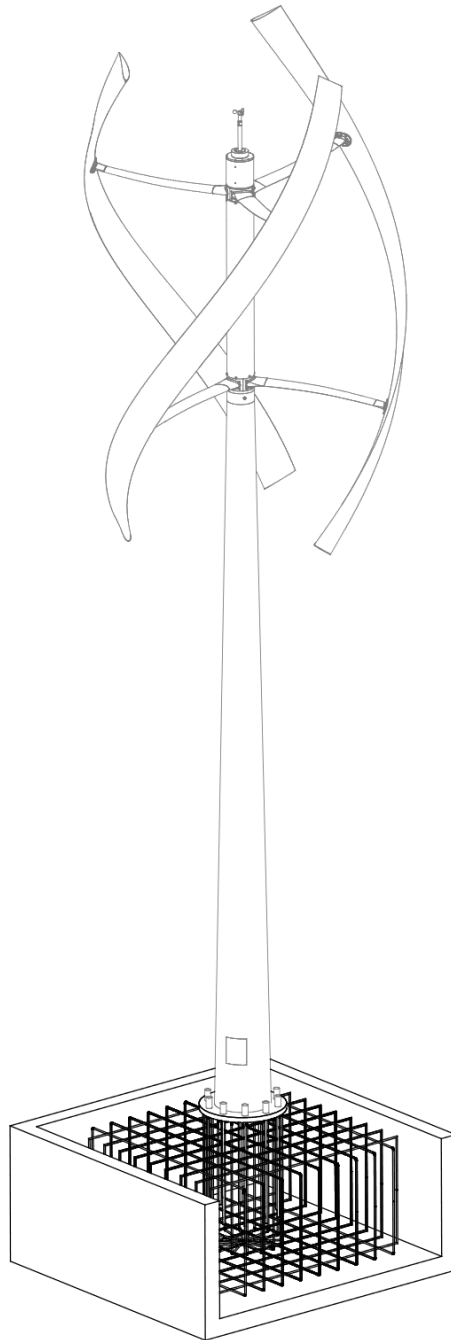
PLINTH TYPES - SAMPLES



ENESSERE
Clean Energy Company

STANDARD PLINTH

Permanent concrete plinth with metallic cage.



Approximate dimensions (they will depend on the project): 3m x 3m x 1m



Standard permanent installation.

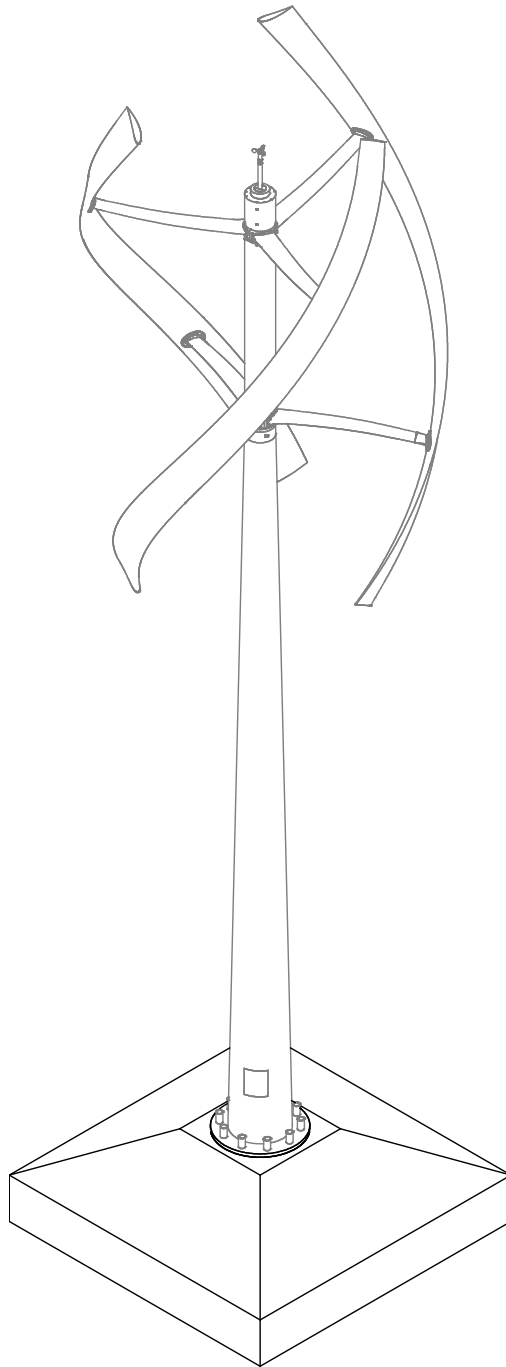
At least 30 days waiting time between the installation of the turbine and the casting



The project, related to local regulations and to the ground characteristic, can be realized, according to the purchaser's choice, by **ENESSERE** or by an other nominated body/designer.

MOVABLE PLINTH

Temporary reinforced concrete plinth.



Approximate dimensions (they will depend on the project): 2,5m x 2,5m x 0,85m



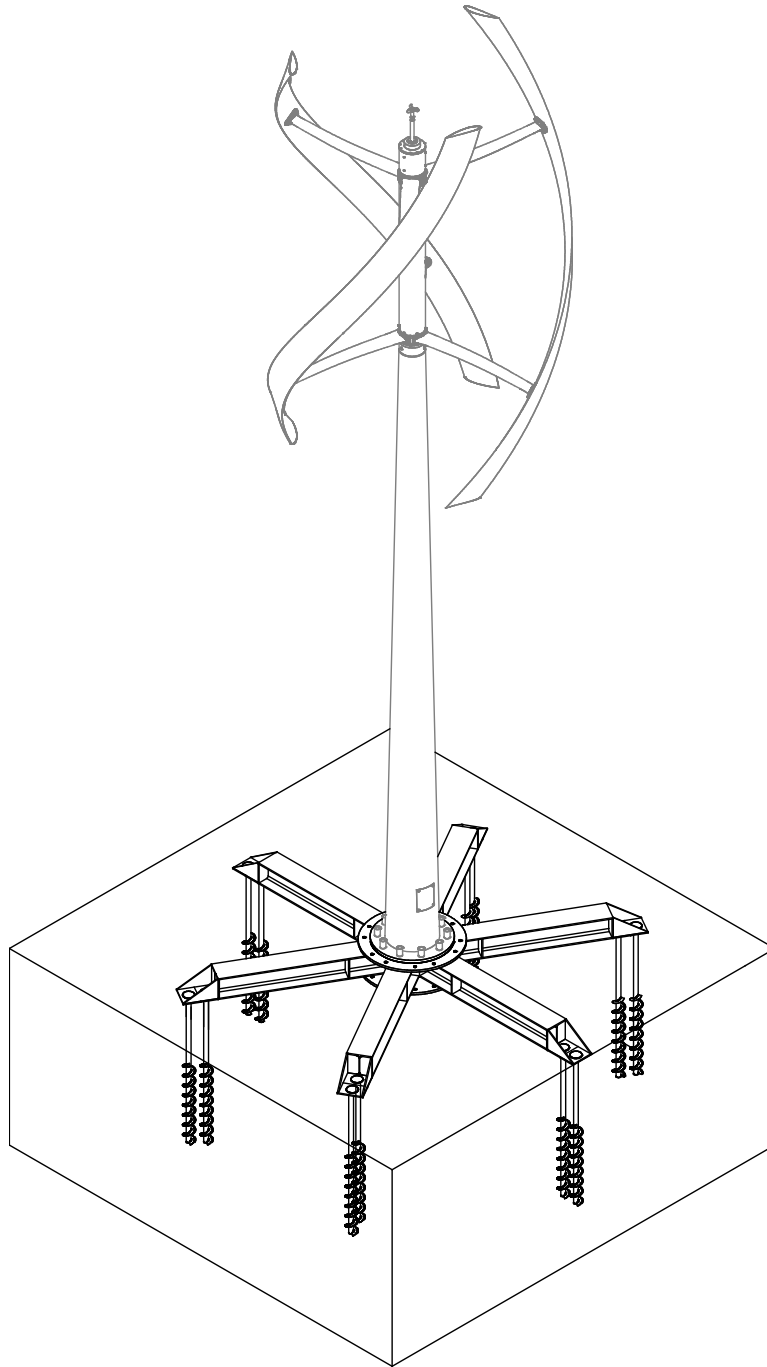
Movable installation.



The project, related to local regulations and to the ground characteristic, can be realized, according to the purchaser's choice, by **ENESSERE** or by an other nominated body/designer.

REMOVABLE PLINTH

Removable plinth with metal base anchored to the ground with 1 meter screws.



Approximate dimensions (they will depend on the project): 4m x 4m



Removable installation.



The project, related to local regulations and to the ground characteristic, can be realized, according to the purchaser's choice, by **ENESSERE** or by an other nominated body/designer.

www.enessere.com